



Pico-ITX Carrier for StackableUSB™ USB5364/USB5374



The Pico-ITX carrier boards expand custom configuration options for Pico-ITX users designing embedded systems. OEMs can add industrial control features, intelligent sensing, communication options, and mass storage capacity to their Pico-ITX board easily and cost-effectively via StackableUSB.

Two (2) versions of the carrier board are available. The USB5374 interfaces four (4) root ports, two (2) per StackableUSB bay. On this carrier, each Client device is working directly from a root USB port giving maximum throughput and performance. The USB5364 splits a single root USB port into four (4), transmitting two (2) USB channels per StackableUSB bay via a hub. In this case, each device is sharing a single root port.

Features

- ✓ Accommodates up to four (4) StackableUSB boards
- ✓ Top- or bottom-mount to Pico-ITX processor board
- ✓ USB root or hub versions
- ✓ No special software
- ✓ -40° to +85°C operation



The carrier board attaches to a Pico-ITX Host processor using the Pico-ITX mounting holes and connects electrically either through the popular StackableUSB interface, standard USB cables or a 10 pin header.

Users can mix-and-match StackableUSB Clients on the USB5364/USB5374: four (4) ¼-size 104™ Form Factor StackableUSB boards, two (2) ½-size 104 Form Factor boards, or two (2) ¼-size and one (1) ½-size board.

In addition to providing USB interfaces, each bay on the USB5364/USB5374 accepts StackableUSB I2C and SPI modules via a 10 pin header from the processor board. The Pico-ITX is an important addition to any Pico-ITX form factor system that requires the USB, I2C and SPI I/O expansion.

Software/Driver Support

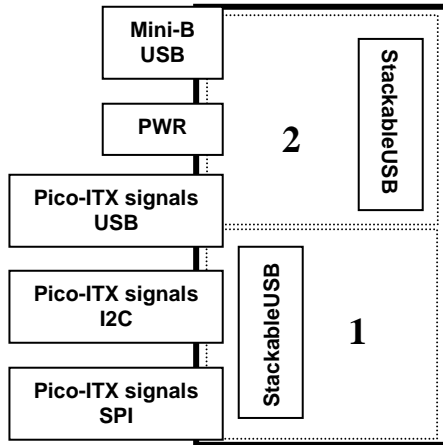


Compatible Hardware

*Pico-ITX CPU motherboard
PC Host desktops and laptops
StackableUSB Client boards*

Mounting/Packaging

*Pico-ITX, ½-size 104 Form Factor,
and ¼-size 104 Form Factor
Standoffs, STD0FFUSB*



Specifications:

Mechanical:

- Pico-ITX mounting holes
- ¼-size 104 Form Factor mounting holes
- ½ size 104 Form Factor mounting holes
- 3.9" (plus I/O region) x 2.8" x .6"

Power Requirements:

- +5v ±5% supplied by power header
 - 200 mA (min)
- (Current requirements dependent on USB devices plugged into USB5364)*

Environmental:

- 40° to +85°C operating
- 40° to +85°C storage
- 5%-95% relative humidity, non-condensing

Interface:

- StackableUSB
- I2C
- SPI

Connections*:

- Three (3) headers for Pico-ITX signals
- Two (2) ¼-size 104 Form Factor StackableUSB
- One (1) ½ size 104 Form Factor StackableUSB

**Based on configuration*

Development Kit:

- Base module
- Complete cable set
- Documentation, schematics

Ordering Information:

OEM Hub Carrier Module:

USB5364-PC	Hub Carrier Board for two (2) – four (4) top-mounting ¼-size 104 Form Factor boards for Pico-ITX Host or PC Host with Mini-B USB header
5364OPT1T	One (1) or two (2) top-mounting ½-size 104 Form Factor board
5364OPT1B	One (1) or two (2) bottom-mounting ½-size 104 Form Factor board
5364OPT2B	Two (2) – four (4) bottom-mounting ¼-size 104 Form Factor boards
CS5364	Complete Cable Set

OEM Carrier Module:

USB5374-PC	Carrier Board for two (2) – four (4) top-mounting ¼-size 104 Form Factor boards for Pico-ITX Host or PC Host with Mini-B USB header
5374OPT1T	One (1) or two (2) top-mounting ½-size 104 Form Factor board
5374OPT1B	One (1) or two (2) bottom-mounting ½-size 104 Form Factor board
5374OPT2B	Two (2) – four (4) bottom-mounting ¼-size 104 Form Factor boards
CS5374	Complete Cable Set

Related Products:

STDOFFUSB	StackableUSB Standoff Kit
CA4136	A to Mini-B USB Cable

Development Board Kits*

DK5364-PC	Hub Carrier Board for two (2) – four (4) top-mounting ¼-size 104 Form Factor boards for Pico-ITX Host or PC Host with Mini-B USB header
DK5374-PC	Carrier Board for two (2) – four (4) top-mounting ¼-size 104 Form Factor boards for Pico-ITX Host or PC Host with Mini-B USB header

**See Development Kit Specifications*

The above model is for U.S. operation. Contact the factory for international models.