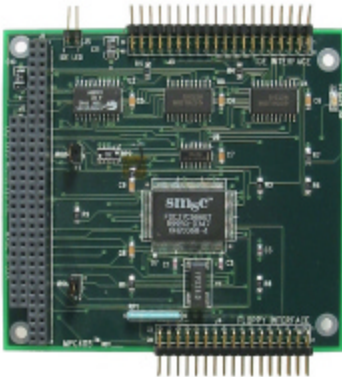




Floppy and IDE Interface for PC/104 MPC405

Features

- ✓ Floppy disk interface for one or two floppy disk drives
- ✓ Direct connect to 3.5" and 5.25" drives
- ✓ IDE interface for one or two hard disk drives
- ✓ 5V only operation
- ✓ PC/104 format



The MPC405 Floppy and IDE Interface adds up to two PC compatible floppy disk drives and up to two IDE hard disk drives to any PC/104 computer system.

The floppy interface is based on a standard NEC765 compatible controller. Formats from 360K through 1.4M are supported for complete

media compatibility with other PC systems. The IDE interface supports all standard IDE hard disk drives.

Each of the subsections of the MPC405 can be disabled if the same function is duplicated elsewhere in the system.

Software Support

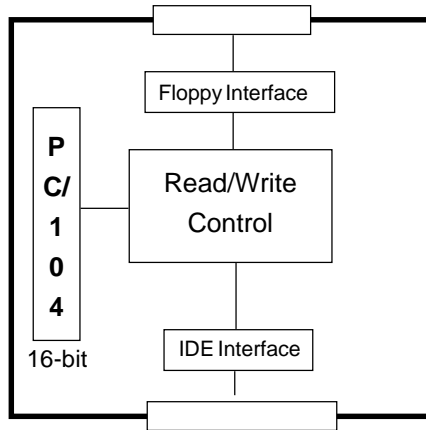
All PC disk software

Compatible Hardware

*Any Micro/sys CPU with 16-bit PC/104 expansion connector
[See Section 1]
Floppy disk drives
IDE hard disk drives*

Mounting/Packaging

PC/104 standard



Specifications:

Mechanical:

- PC/104 standard
- 3.55" (plus I/O region) x 3.775" x .6"

Power Requirements:

- +5V \pm 5% at 50mA max

Environmental:

- 0° - +70°C operating
- 25° - +85°C storage
- 5%-95% relative humidity, non-condensing

PC/104 Interface:

- 16-bit PC/104 module, P1 and P2 stack-through
- Floppy I/O ports: 3F0-3F7
IDE I/O ports: 1F0-1F7 and 3F6-3F7
- Floppy IRQ6
IDE IRQ14
- Floppy DRQ2/DACK2

Floppy Disk Interface:

- 34-conductor ribbon cable
- Supports one or two drives
- 3.5" drives or 5.25" drives

External Connections:

- 34-pin header for floppy drives
- 40-pin header for IDE drives
- 2-pin header for IDE drive activity LED

Ordering Information:

MPC405 Floppy, IDE, serial interface

Related Products:

CA4025 IDE drive cable
CA4031-3 Dual 3.5" floppy cable