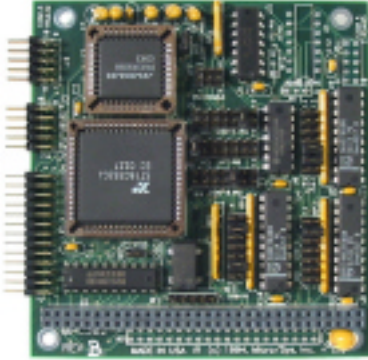




Dual Serial Interface for PC/104 MPC302

Features



- ✓ Two PC compatible COM ports
- ✓ RS232 interface levels
- ✓ RS485 option on one serial port
- ✓ PC compatible parallel printer port
- ✓ Parallel port has bidirectional mode
- ✓ Runs unmodified COM and LPT code
- ✓ Changeable I/O ports and IRQs
- ✓ 5V only operation
- ✓ PC/104 format

The MPC302 Dual Serial and Printer Interface adds two PC compatible COM ports and one parallel printer port to any PC/104 system. Complete control over I/O port addressing and interrupt IRQ selection is provided through settable jumpers. This allows standard and non-standard configurations to allow maximum flexibility in configuring PC/104 systems.

The 5-volt only module provides RS232 levels, and includes full modem controls on both serial ports. RS485 interface levels can be used on one of the serial ports if the RS485 option is installed.

The parallel printer port can be used for Centronics compatible printers, or for general purpose digital I/O interfacing. The 8 parallel port data lines can be configured to be output only or bidirectional.

Separate connectors are provided for each function. If any of the MPC302 functions are not needed, they can be disabled.

Software Support

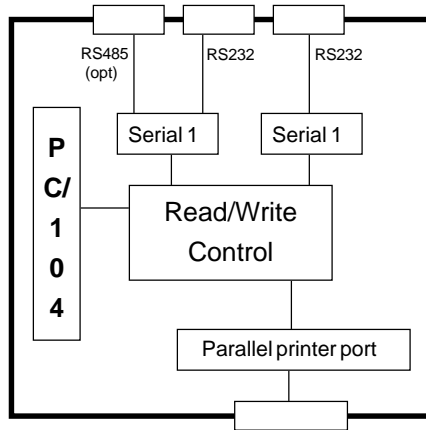
Comm library, CommBLOK™
[Item above in Section 6]
Third party PC libraries

Compatible Hardware

Serial RS232 devices
RS485 networks
Parallel printers
Custom interfacing

Mounting/Packaging

PC/104 standard



Specifications:

Mechanical:

- PC/104 standard
- 3.55" (plus I/O region) x 3.775" x .6"

Power Requirements:

- +5V \pm 5% at 85mA max

Environmental:

- 0° - +70°C operating
- 25° - +85°C storage
- 5%-95% relative humidity, non-condensing

PC/104 Interface:

- 8-bit PC/104 module
- Four jumper settable base addresses
- Default settings: first serial port addresses 3E8-3EF, IRQ7; second serial port addresses 2E8 - 2EF, IRQ6, parallel port addresses 278-27F, IRQ2

Serial Ports:

- PC compatible, 16C552 UARTS with FIFO
- COM1-COM4 or unique configurations
- RS232 interface levels, full modem controls
- Baud rates to 115K

Printer Port:

- PC compatible
- 8 data lines, 5 inputs, 4 outputs
- Bidirectional data lines if selected

Interrupts:

- All 3 ports can generate interrupts
- Jumpers to IRQ2 - IRQ7 for each port, (IRQ10 - IRQ15 if PC/104 J2 is installed)
- Support for PC/104 shared interrupts

External Connections:

- 10-pin headers for both RS232 ports
- Separate 10-pin header for RS485 option
- 26-pin header for printer port

Ordering Information:

MPC302 Dual serial, parallel port card
 302OPT1 RS485 option installed

Related Products:

CA4020 Cable to 9-pin male D (COM)
 CA4021 Cable to 25-pin female D (LPT)