



Extractor Tool for PC/104 Boards

PC/104 Extractor Tool

Features



- ✓ Eliminates Connector Pin Damage
- ✓ Effortless Board Separation
- ✓ Convenient Size
- ✓ Durable Finish
- ✓ Ergonomic Design
- ✓ Lightweight

The Micro/sys PC/104 Extractor Tool is the ideal hand tool for users of PC/104 boards. Ergonomically designed for use in the lab or production environment, the Extractor Tool eliminates costly repairs and down-time caused by extracting boards with alternative methods. Manufactured with high strength steel

for durability, the Extractor Tool can be easily gripped and offers a smooth glide during board extraction. Even though it weighs less than 8 oz and its dimensions are less than 5", the Extractor Tool is designed for the largest of hands.

Software Support

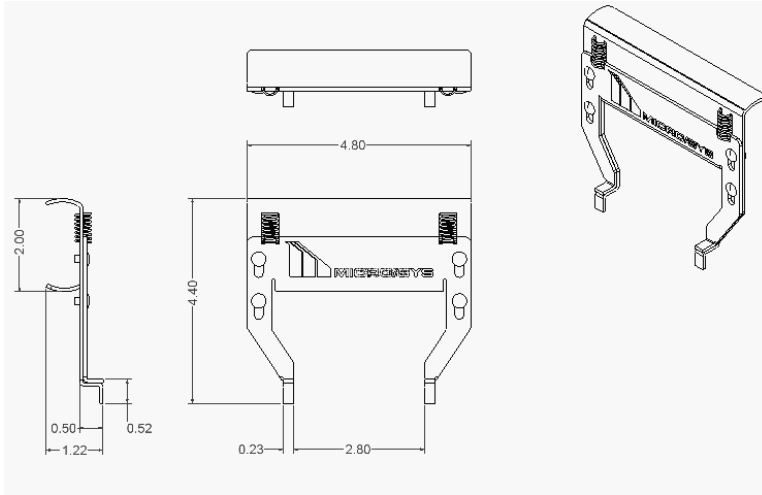
Not Applicable

Compatible Hardware

Any PC/104 expansion card

Mounting/Packaging

Not Applicable



Specifications:

Mechanical:

- High Strength Steel
- Corrosion Resistant Black Zinc Finish
- Maximum overall dimensions
1.22" x 4.8" x 4.4"

Power Requirements:

One Hand Power

Ordering Information:

PC/104 Extractor

Extractor Tool

Related Products:

Any PC/104 Expansion Card