



# StackableUSB™ I/O Device Carrier for Pico-ITX Form Factor CRR-PICO/HUB-PICO

## Features

- ✓ Accommodates up to four (4) StackableUSB boards
- ✓ Top- or bottom-mount to Pico-ITX processor board
- ✓ USB root or hub versions
- ✓ No special software required
- ✓ -40° to +85°C operation



The CRR-PICO and the HUB-PICO provide a bridge from off-the-shelf Pico-ITX single board computers to the increasingly popular ¼-size StackableUSB I/O devices. Removing the burden of assessing compatibility from the OEM, the CRR-PICO and HUB-PICO securely mount top or bottom to any Pico-ITX form factor to provide access to multiple StackableUSB I/O modules. OEMs simply plug on their Pico-ITX single board computer via the StackableUSB

connector or cable to the CRR-PICO/HUB-PICO via USB 2.0. With access to the well-defined embedded standard for USB, I2C, and SPI, OEMs can add a wealth of intelligent peripheral functions from wireless to GPS to additional storage and more. Plus with the option to add a Hub, OEMs increase their USB capability by splitting one USB root port into 4 USB channels.

### Software/Driver Support

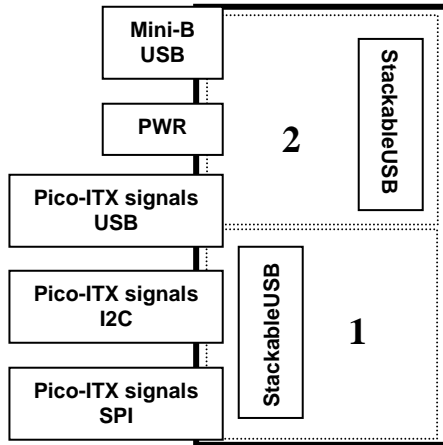


### Compatible Hardware

*Pico-ITX CPU motherboard  
PC Host desktops and laptops  
StackableUSB Client boards*

### Mounting/Packaging

*Pico-ITX, ½-size 104 Form Factor,  
and ¼-size 104 Form Factor  
Standoffs, STDOFFUSB*



## Specifications:

### Mechanical:

- Pico-ITX mounting holes
- ¼-size 104 Form Factor mounting holes
- ½ size 104 Form Factor mounting holes
- 3.9" (plus I/O region) x 2.8" x .6"

### Power Requirements:

- +5v ±5% supplied by power header
  - 200 mA (min)
- (Current requirements dependent on USB devices plugged into USB5364)*

### Environmental:

- 40° to +85°C operating
- 40° to +85°C storage
- 5%-95% relative humidity, non-condensing

### Interface:

- StackableUSB
- I2C
- SPI

### Connections\*:

- Three (3) headers for Pico-ITX signals
- Two (2) ¼-size 104 Form Factor StackableUSB
- One (1) ½ size 104 Form Factor StackableUSB

*\*Based on configuration*

### Development Kit:

- Base module
- Complete cable set
- Documentation, schematics

## Ordering Information:

### OEM Hub Carrier Module:

|             |                                                                                                                                     |
|-------------|-------------------------------------------------------------------------------------------------------------------------------------|
| HUB-PICO-ST | Hub Carrier Board for up to four (4) top-mounting ¼-size 104 Form Factor boards for StackableUSB Pico-ITX Host                      |
| HUB-PICO-PC | Hub Carrier Board for up to four (4) top-mounting ¼-size 104 Form Factor boards for Pico-ITX Host or PC Host with Mini-B USB header |
| PICOOPT1B   | Two (2) bottom-mounting ½-size 104 Form Factor board                                                                                |
| CS-HUB-PICO | Complete Cable Set                                                                                                                  |

### OEM Carrier Module:

|             |                                                                                                                                 |
|-------------|---------------------------------------------------------------------------------------------------------------------------------|
| CRR-PICO-ST | Carrier Board for up to four (4) top-mounting ¼-size 104 Form Factor boards for StackableUSB Pico-ITX Host                      |
| CRR-PICO-PC | Carrier Board for up to four (4) top-mounting ¼-size 104 Form Factor boards for Pico-ITX Host or PC Host with Mini-B USB header |
| PICOOPT1B   | Two (2) bottom-mounting ½-size 104 Form Factor board                                                                            |
| CS-CRR-HUB  | Complete Cable Set                                                                                                              |

### Related Products:

|           |                           |
|-----------|---------------------------|
| STDOFFUSB | StackableUSB Standoff Kit |
| CA4136    | A to Mini-B USB Cable     |

### Development Board Kits\*

|                |                                                                                                                                     |
|----------------|-------------------------------------------------------------------------------------------------------------------------------------|
| DK-HUB-PICO-ST | Carrier Board for up to four (4) top-mounting ¼-size 104 Form Factor boards for StackableUSB Pico-ITX Host                          |
| DK-HUB-PICO-PC | Carrier Board up to four (4) top-mounting ¼-size 104 Form Factor boards for Pico-ITX Host or PC Host with Mini-B USB header         |
| DK-CRR-PICO-ST | Hub Carrier Board for up to four (4) top-mounting ¼-size 104 Form Factor boards for StackableUSB Pico-ITX Host                      |
| DK-CRR-PICO-PC | Hub Carrier Board for up to four (4) top-mounting ¼-size 104 Form Factor boards for Pico-ITX Host or PC Host with Mini-B USB header |

*\*See Development Kit Specifications*

*The above model is for U.S. operation. Contact the factory for international models.*